

Newness multicolor 70x100

Plate screen printing machine with “Gripper”



The Newness Multicolor 70x100 has been designed and manufactured to meet any type of printing need, including the printing of especially thin materials, pre-printed in Offset Mode. This screen printing machine stands out for its rigorously tested, automatic feeder which can deliver materials to the grippers and roller conveyors on the register plane as well as to its register points-free vacuum table.

Combining several print carriages in a row will allow the machine operator to obtain more colorful register plane prints in one single pass. Drying ovens are installed between each print carriage for dry-on-dry printing.

All the screen printing machine's functions are managed and controlled by the PLC and can be accessed by the machine operator via a touch-screen interface.

Thanks to an internal display viewer, the placement of the screen on the register plane is quick and accurate as is the air pressure regulation for the squeegee blade and scraper.



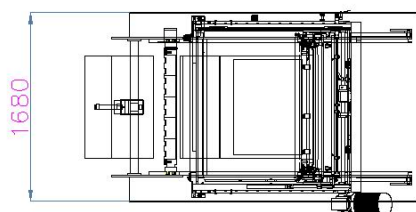
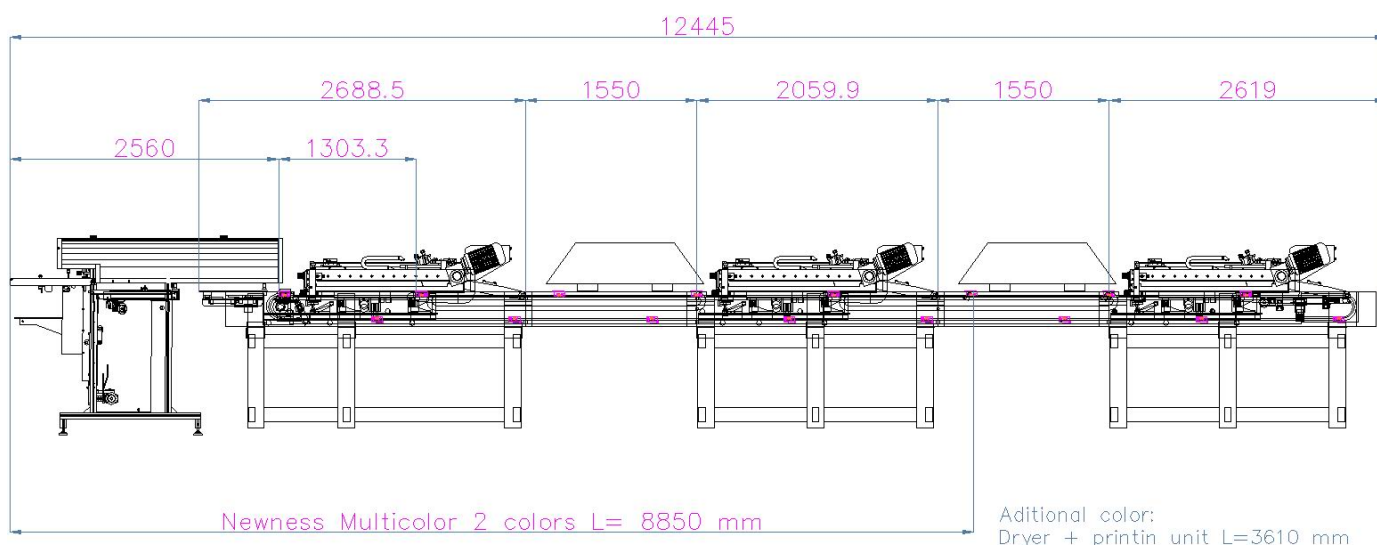
The screen can be cleaned safely, easily, and comfortably since the entire print carriage lifts up pneumatically. At the end of the printing process, the sheet is gently released on the conveyor belt of the dryer oven for final desiccation.





Technical specifications

Maximum Print Size Format	720x1020 mm
Maximum Sheet Size Format	720x1050 mm
Maximum Screen Dimensions	1190x1380 mm
Maximum Material Thickness	6 mm
Maximum Print Speed	900 Sheets/h
Compressed Air Required	600 l/h
Power Requirements	400V 50Hz 3F.
Air Pressure	7 bar
Installed Power	10 Kw
Feeder Weight	350 Kg
Print Carriage Weight	700 Kg
Maximum Feeder Load Height	470 mm
Maximum Feeder Load Weight	200 Kg
Print with UV Inks	Yes
Print with water-based Inks	Yes
Print with solvent-based Inks	Yes



NEWNESS MULTICOLOR 70-100